

Divisible Room

Design Guide

DOC-0514-001 REV 1.8 – Mar 25, 2022

Room Application

Cloud Collaboration,
Audio Conferencing,

Included Interfaces

VoIP, Analog Telco, USB Audio, Camera

Primary Equipment

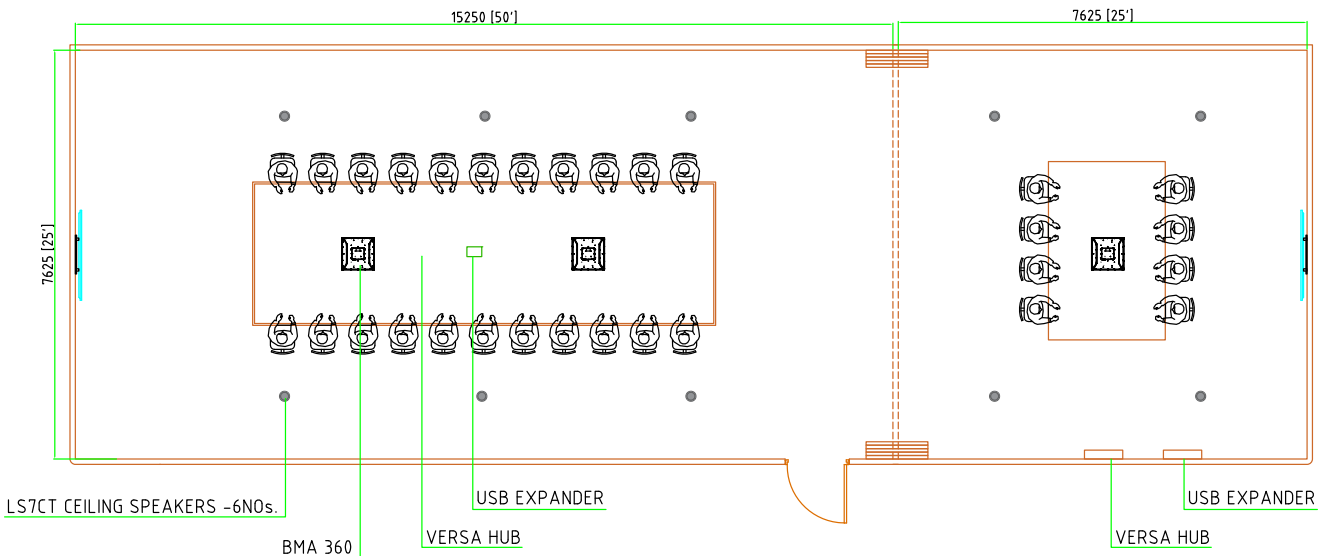
- CP2 128VT
- BMA 360
- UNITE® 150
- Versa™ Hub

Software/Firmware revisions utilized

- CONSOLE® AI Version: 7.5.1.7
- DSP Version: 8.5.8.0
- BMA 360 Version: 1.0.6.10



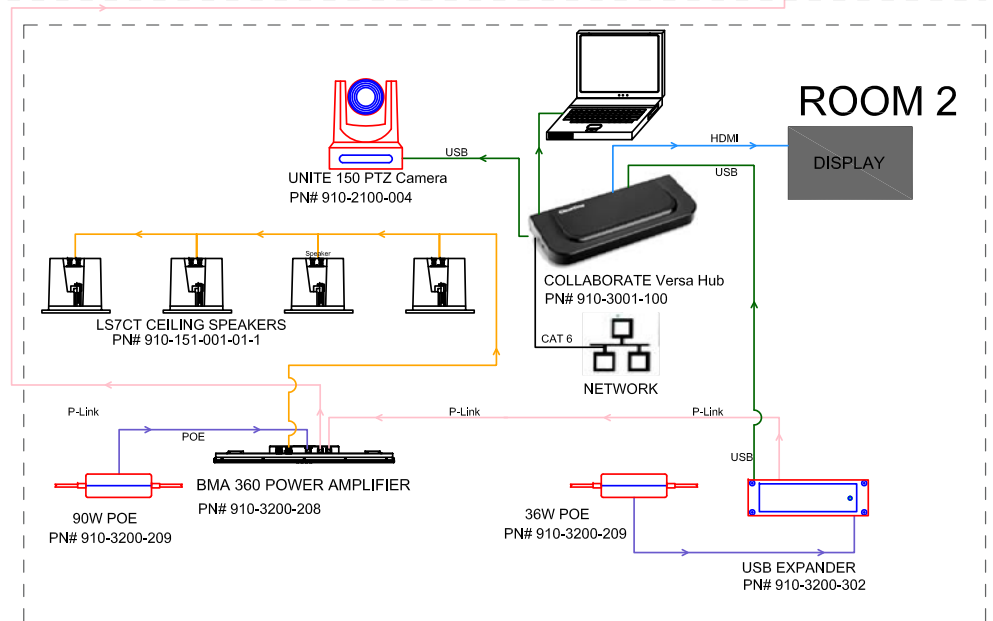
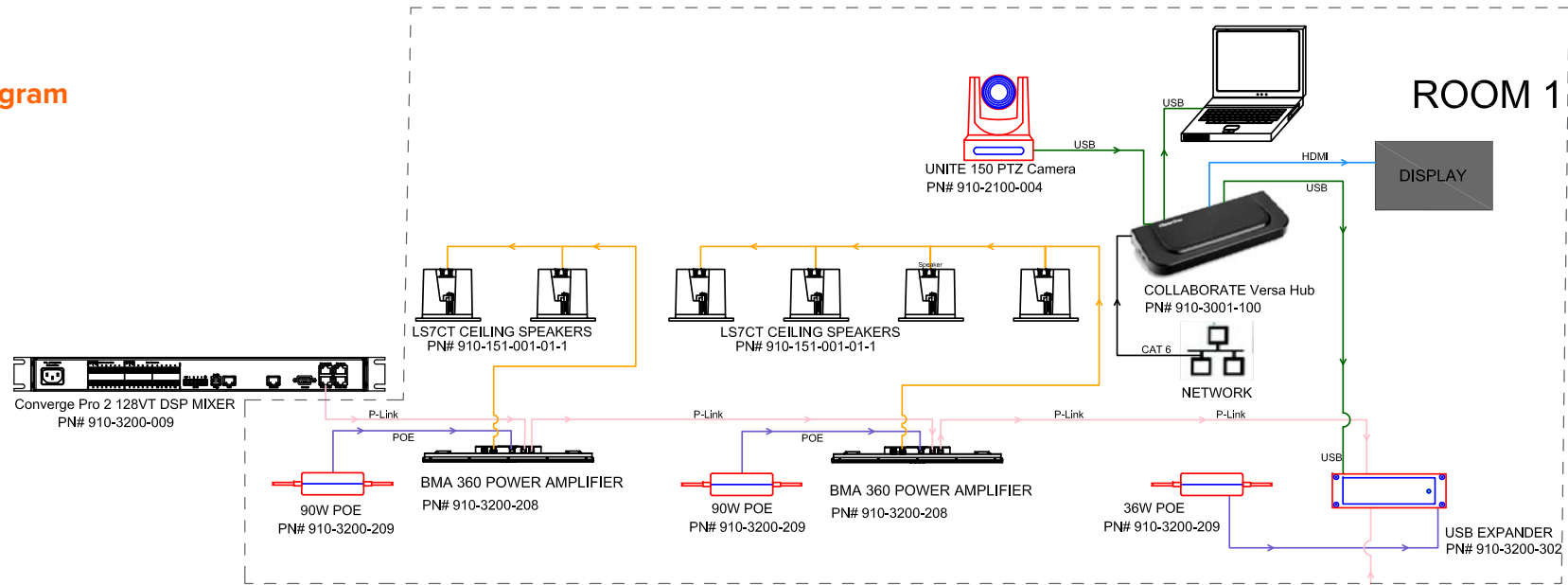
Room Illustrations



Room Description

A divisible room with VoIP, Telco, and BYOD Cloud collaboration capabilities. When divided, the larger conferencing space is capable of cloud-based video calls, VoIP, or POTS telephony calls while the smaller space has dedicated resources for cloud collaboration. Have a larger group attending? Combine the spaces and have access to all system resources.

Wiring Diagram



LEGEND	
	SPEAKER (18 AWG Wire)
	POE
	USB
	HDMI
	PLINK (CAT 6)
	CLINK (CAT 6)
	NETWORK (CAT 6)

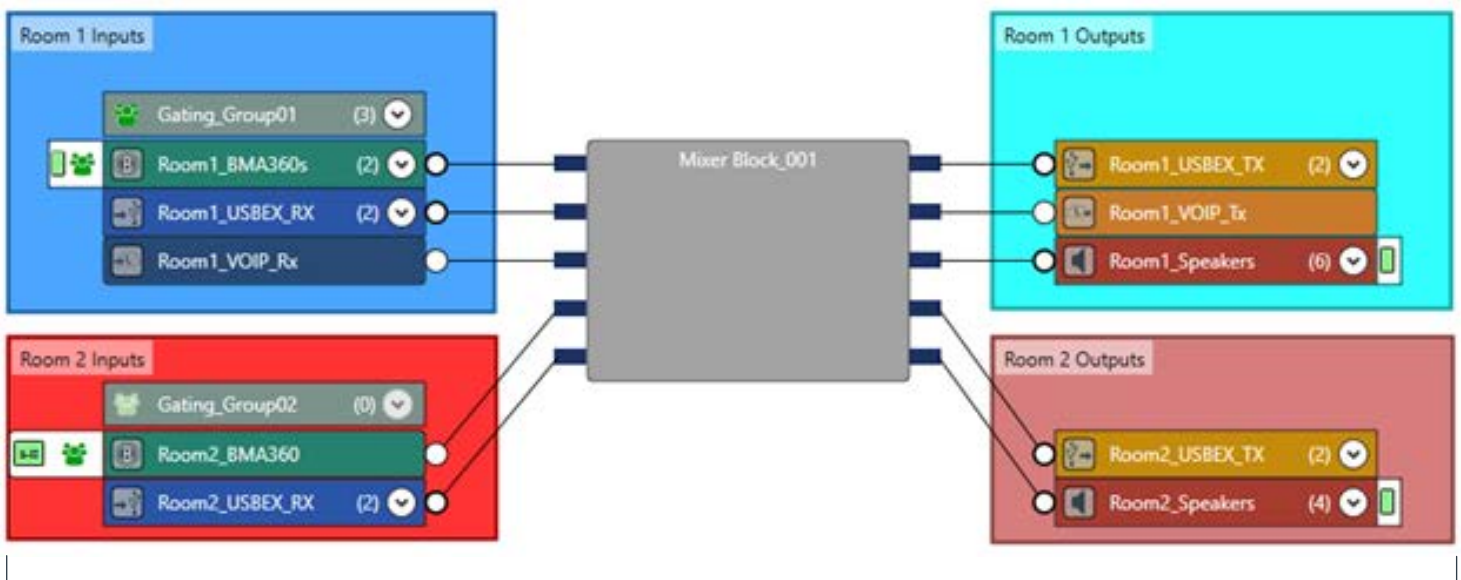
NOTE: ANY INDIVIDUAL PLINK MUST NOT EXCEED 200 FEET IN LENGTH

Equipment list:

Qty	Part Number	Product Name	Description
1	910-3200-009	CONVERGE® Pro 2 128VT	DSP Mixer with 12 Mic/Line AEC Inputs, 8 Mic/Line Outputs, USB Audio, VoIP, Telephone Interface
3	910-3200-208	BMA 360 24 Inch	BMA with 4 x 15 Watt Power Amplifiers. PoE Injector and CAT6 cables not included.
3	910-3200-209	90W PoE++ power supply kit for BMA	Includes 1 x 90 Watt PoE++ Injector, 2 x 25 ft CAT6 cables
1	910-3200-202	36W PoE+ power supply kit for BMA	Includes 1 x 36 Watt PoE+ Injector, 2 x 25 ft CAT6 cables
2	910-3200-302	USB Expander for CONVERGE® Pro 2	Includes 6 ft USB cable
6	910-151-001-01-1	Ceiling Speakers	Includes 2 x LS7CT ceiling speakers with 8 ohm and 70V/100V transformer taps and ceiling tile bridges.
2	910-2100-004	UNITE® 150 PTZ Camera	PTZ camera with 12x optical Zoom, 1080P30 Full HD, USB
2	910-3001-100	COLLABORATE® Versa™ Hub	Hub that connects USB camera, USB audio, room displays and laptop

The downloadable configuration file, illustrated here, contains two presets, for combined and divided modes.

FlowView™ Diagram



Included Macros

- Room_Combined: Combine all Room 1 and 2 audio routing into a single audio system.
- Room_Divided: Separate audio routing so that Room 1 and 2 operate independently.
- Combined_Mute_Toggle: Toggle all BMA360 microphone mute states for both rooms.
- Room1_Mute_Toggle: Toggle the mute state for the Room 1 BMA 360 microphones.
- Room2_Mute_Toggle: Toggle the mute state for the Room 2 BMA 360 microphones.
- Combined_VolUP_3: Increase all speakers by 3 dB.
- Combined_VolDN_3: Decrease all speakers by 3dB.
- Room1_VolUP_3: Increase the Room 1 Speaker group volume by 3 dB.
- Room1_VolDN_3: Decrease the Room 1 Speaker group volume by 3 dB.
- Room2_VolUP_3: Increase the Room 2 Speaker group volume by 3 dB.
- Room2_VolDN_3: Decrease the Room 2 Speaker group volume by 3 dB.

* Macros can be executed via Telnet or serial communications.
Refer to the Converge Pro 2 Serial Command Reference Manual for details.

Download the Divisible Room files: [HERE](#)

SALES AND INQUIRIES

Headquarters

5225 Wiley Post Way Suite 500
Salt Lake City, UT 84116

Headquarters

Main: +1.801.975.7200

Sales

Tel: +1.801.975.7200
sales@clearone.com

Tech Support

Tel: +1.801.974.3760
audiotechsupport@clearone.com